

6

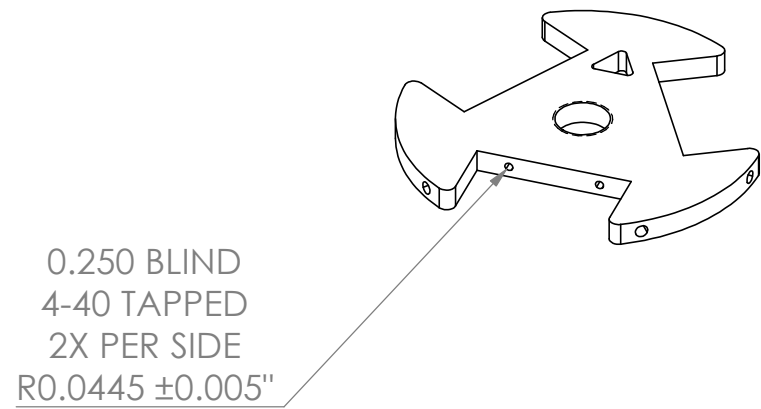
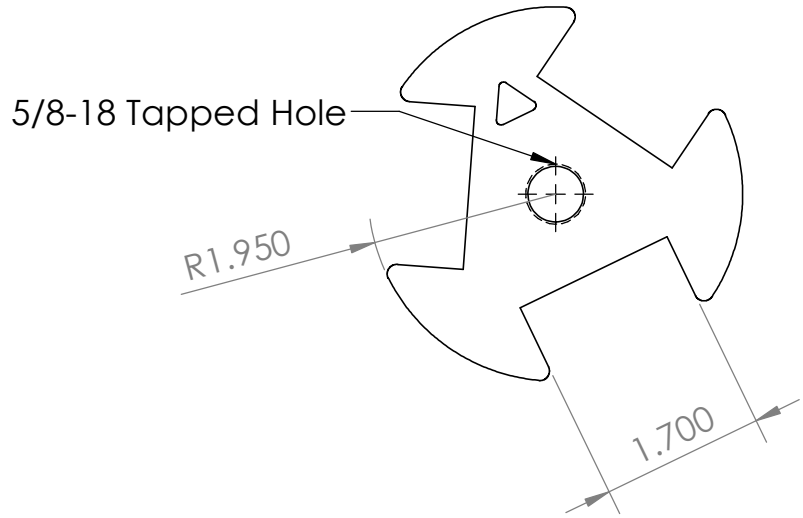
5

4

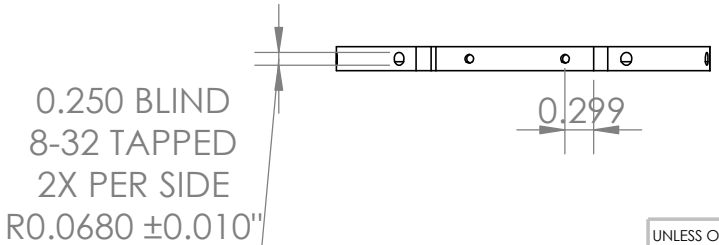
3

2

1



Notes:
1. THIS IS A DIGITALLY MANUFACTURED PART. ALL DIMENSIONS ARE FOR REFERENCE ONLY. THE CAD FILE SHALL BE THE MASTER FOR ALL DIMENSIONS NOT LISTED HERE.



UNLESS OTHERWISE SPECIFIED: DIMENSIONS ARE IN MILLIMETERS SURFACE FINISH: TOLERANCES: LINEAR: ±0.010" ANGULAR:		FINISH: AS PRINTED		DEBURR AND BREAK SHARP EDGES		DO NOT SCALE DRAWING		REVISION	
DRAWN		NAME		SIGNATURE		DATE		TITLE:	
CHK'D		JON ROSARIO				11/17/20		AVIONICS BULK HEAD	
APPV'D									
MFG									
Q.A									
						MATERIAL:		DWG NO.	
						ABS/PLA		B-AV005	
						WEIGHT:		SCALE:1:2	
								SHEET 1 OF 1	
								A4	

6

5

4

3

2

1